

SPECIFICATIONS

- 1: GLAZING MATERIAL
- ACRYLIC DOME INNER OUTER
- POLYCARBONATE DOME

2: PYRAMID (OPTIONAL)

- STANDARD 26" (6/12)
- CUSTOM _____ ()

3: GLAZING COLOR

- CLEAR
- BRONZE
- WHITE
- OTHER

4: FRAME FINISH

- MILL
- BRONZE PAINT
- CLEAR ANODIZED
- CUSTOM COLOR _____

5: INSULATED SELF CURB

- COMMERCIAL 9" -STANDARD
- COMMERCIAL 12"
- CUSTOM _____

6: OTHER OPTIONS

- THERMALLY BROKEN SASH (TB)

FOR SELF FLASHING SKYLIGHTS (DECK MOUNT) PROVIDE ROUGH OPENING DIMENSION

- QTY: _____ R.O = _____ X _____
- QTY: _____ R.O = _____ X _____
- QTY: _____ R.O = _____ X _____
- QTY: _____ R.O = _____ X _____

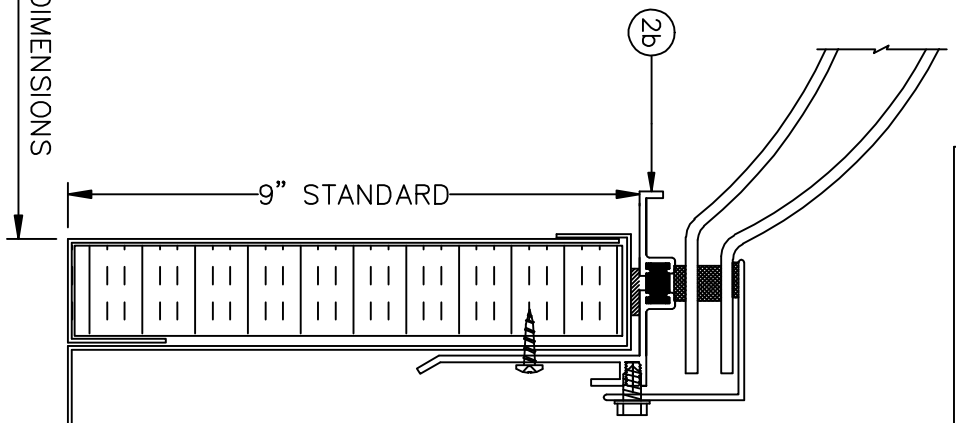
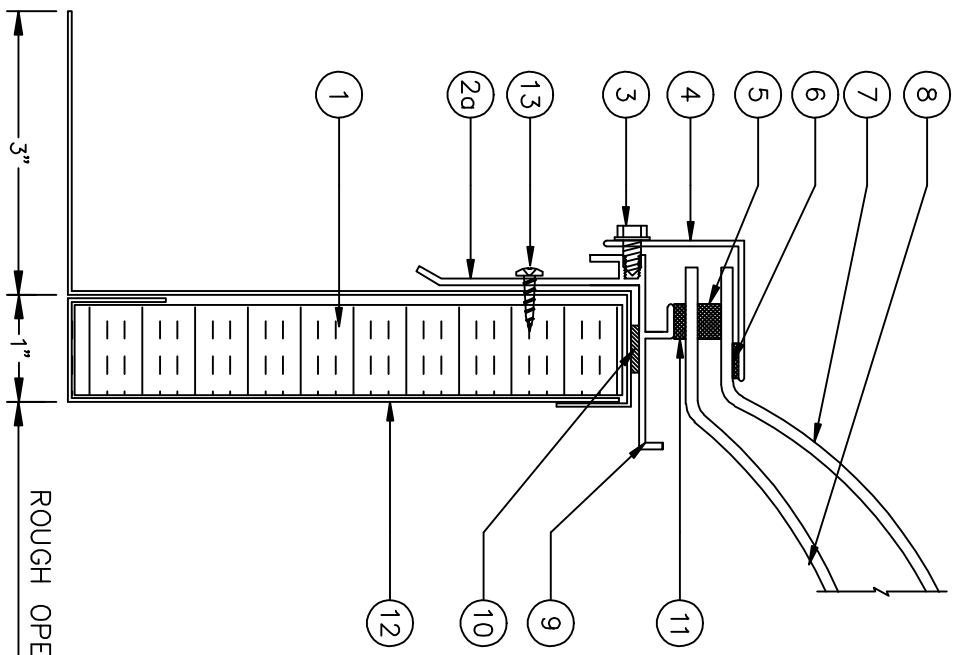
ORDER FORM
SELF FLASHING ACRYLIC & POLYCARBONATE INSULATED CURB

DATE: _____ ORDER #: _____

PROJECT: _____ LOCATION: _____

CUSTOMER: _____ APPROVED: _____

- 1 1" rigid insulation
- 2a Alum. extruded sash non tb w/weep holes
- 2b Alum. extruded sash tb w/o weep holes
- 3 Fastener
- 4 Alum. extruded retaining angle
- 5 Glazing tape spacer
- 6 Wet seal
- 7 Outer Dome
- 8 Inner Dome
- 9 Condensation Gutter
- 10 Weather stripping tape
- 11 Glazing Tape (Typ.)
- 12 Aluminum skin
- 13 Fasteners



ORCA MANUFACTURING, INC.
P.O. Box 992
Hurlock, MD 21643
PHONE (800) 776-1539
FAX (410) 943-8245
www.starlightskylights.com

