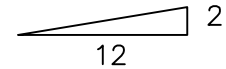


PLAN VIEW

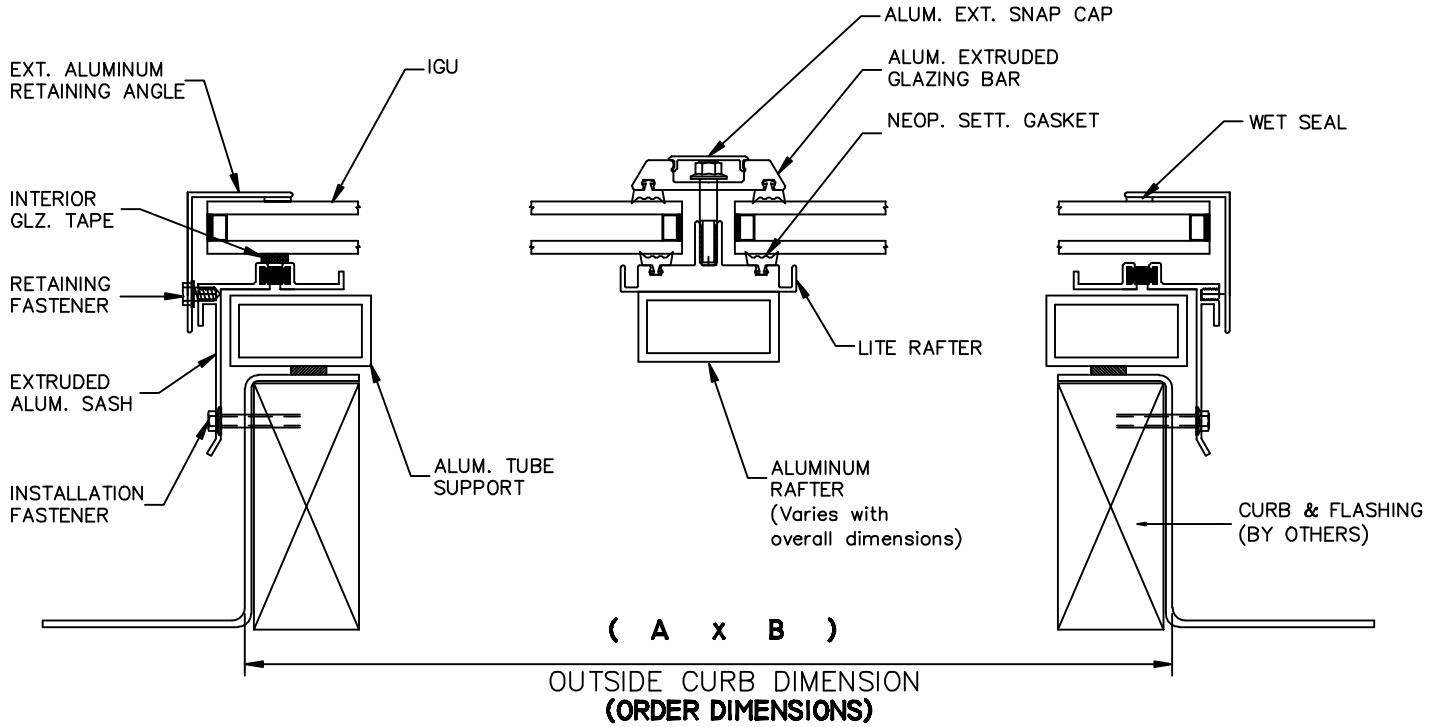
**MULLION
DOWN
SLOPE**

MIN - 2/12



MULLION REQUIRED MINIMUM PITCH - 2/12

SECTION A-A



NOTE:

- * The flange-to-flange dimension is 1/2" larger than the outside dimension of curb, unless directed otherwise.
- * Depending on size, unit may be shipped unglazed. (call for details)

TWO BAY TANDEM SHOWN AS TYPICAL

CMG-TB-T					
Model	Dimensions (OCD)	Glazing	Finish	Quantity	Project



TITLE: CURB MOUNT GLASS-THERMALLY BROKEN - TANDEM

Rev. Date	April 11, 2012	Sheet: 1 OF 1
Drawn By	AP	
Rev. By	CRH	Dwg No. CMG-TB-T 041112
Engineer:	AP	

ORCA Manufacturing, inc.
P.O. Box 992
Hurlock, MD 21643
PHONE (800) 776-1539
FAX (410)-943-8245
www.starlightskylights.com